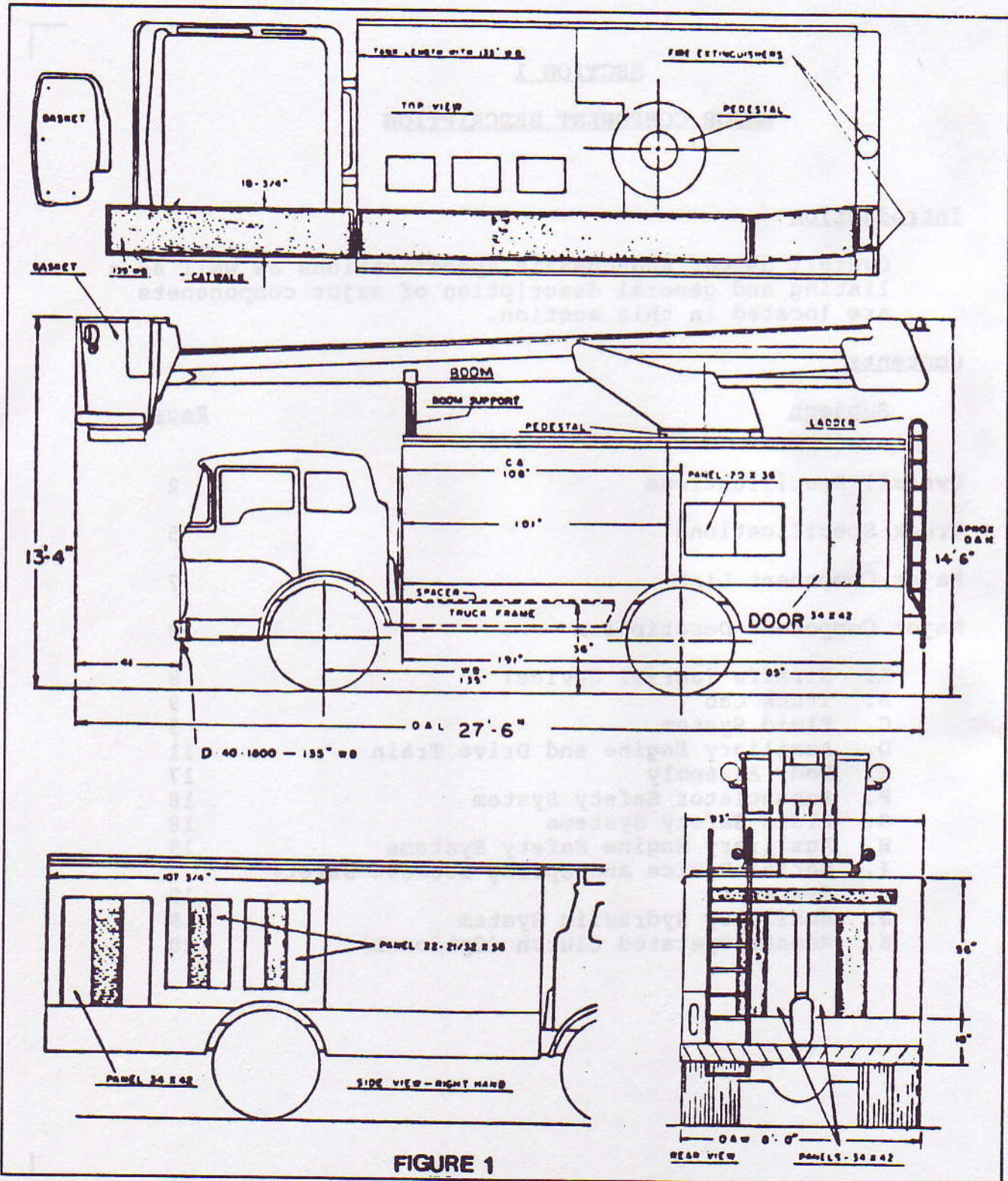


MAINTENANCE MANUAL





Elberta, Alabama 36530, USA

D40
w/T2 FLUID

MAINTENANCE MANUAL

OVERALL SPECIFICATIONS

Rotation	370 Deg Non-continuous
Overall height folded	14'6" MAXIMUM (13'6" for transportation)
Overall width folded	8'0"
Overall length folded	Approximately 27'6"
Maximum height ground to floor of basket	41'
Maximum working height	46'
Maximum side reach with lower Boom in vertical position	28' at 28' Working Height
Travel of elevators	75 Degrees
Travel of upper boom	15 Degrees from vertical
Lifting capacity	450 lbs.
Stability test with boom in position of maximum tipping moment with tanks empty and spring lockout device engaged on firm level surface.	900 lbs.
Approximate weight of vehicle with empty tanks	24,750 lbs.
Approximate gross weight of vehicle with full tanks	38,800 lbs.



Elberta, Alabama 36530, USA

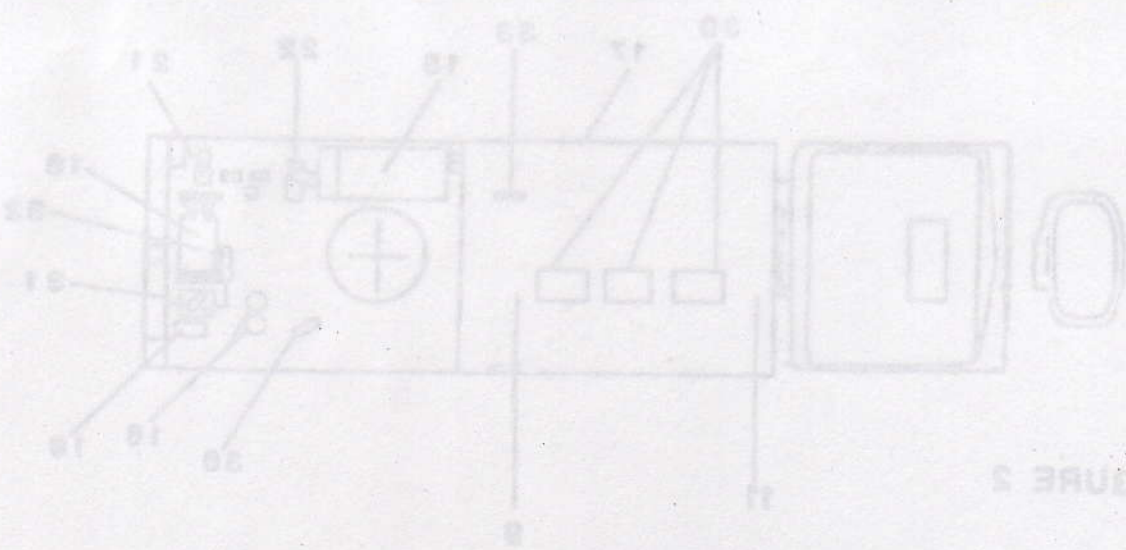
D40

w/T2 FLUID

MAINTENANCE MANUAL

Truck Specification for Model D-40-D 1800 Ford C800 (37,400 GVW)

Cab over Axle	135" Wheel Base, 108" Cab to Axle
Alternator	70 AMP
Battery	70 AMP Hr.
Front Axle	12,000 lbs.
Rear Axle	23,000 lbs. Lowest Speed Possible
Front Springs	7,200 lbs. Each at Pad
Rear Springs	12,000 lbs. Each at Pad
Frame	Double Channel 36,000 PSI Sec. Mod. 21.75
Tires	11:00 x 20 14 Ply Front and Rear Extra Grip on Rear
Power Steering	



MAINTENANCE MANUAL

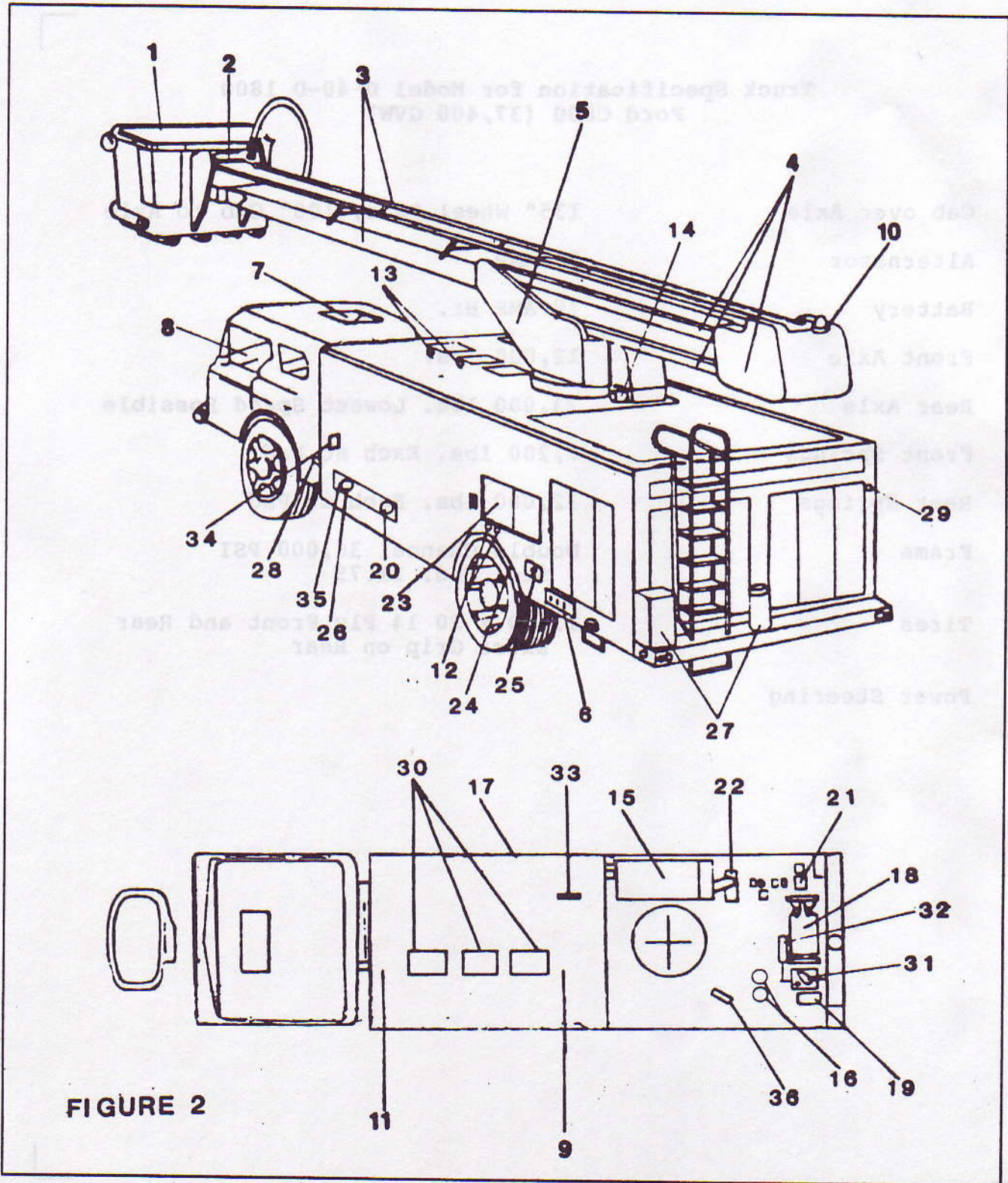


FIGURE 2