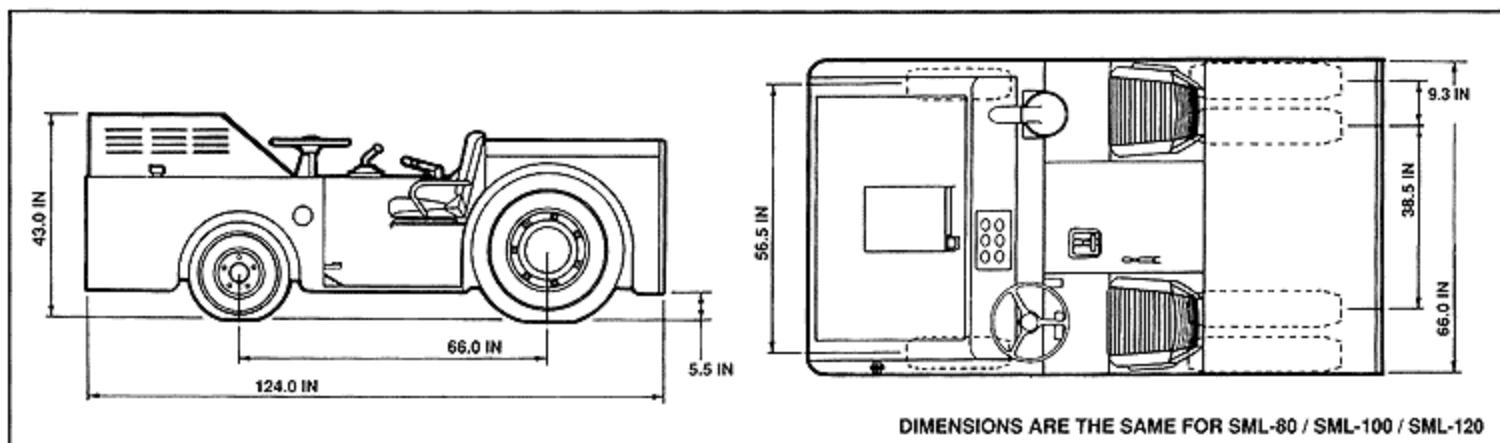


SML-80 SML-100 SML-120 Tow Tractors



Specifications

Model	SML-80	SML-100	SML-120
Weight	9,100 lb	11,500 lb	12,600 lb
Rated drawbar pull with 12" coupler height on dry concrete	8,000 lb	10,000 lb	12,000 lb
Forward speed (no load max.)	15 MPH	15 MPH	15 MPH
Turning radius	140" outside	140" outside	140" outside

Engine

Ford CSG-649 6-cylinder, gasoline engine with 300-cubic-inch displacement, rated at 118 BHP at 2800 RPM. Electronic ignition system.

Transmission

Ford C6 automatic transmission with 3 speeds forward, 1 speed reverse and single-stage torque convertor.

Electrical system

12-volt negative ground, with 65-amp alternator, voltage regulator, 85-amp hour battery, positive-engagement starter, key-type ignition, electric horn, 2 sealed-beam headlights, 1 combination stop and tail light and 1 backup light.

Instruments

Engine hour meter, temperature gauge, ammeter, oil pressure gauge, fuel gauge and torque convertor oil temperature gauge.

Drive axle

Automotive spiral bevel gear, heavy-duty differential assembly, mounted on Timken tapered roller bearings, second reduction planetary gearing in wheel hubs.

Steer axle

Forged steering knuckles and arms, mounted on semi-elliptic springs.

Steering

Recirculating ball-type power steering with integral valve gear. 18" steering wheel.

Tires

Pneumatic. 20.5 x 8 x 10 front. 7.50 x 16 - 8-ply rear (dual).

Brakes

Four-wheel. Hydraulic internal, expanding self-centering double shoes, mounted on drive and steer axle. Separate mechanical parking brake, controlled by adjustable Orschein hand lever.

Coupler

Pin and clevis type mounted on rear is standard. Other couplers are available as optional equipment.

Miscellaneous

Fuel tank capacity is 20 gallons and cooling system capacity is 22 quarts. Velocity-type governor, downdraft-type carburetor, full-flow-type oil filter and dry-type air cleaner. Driver and passenger seat provided.

Optional equipment - Contact factory

Other couplers, L.P.G. fuel system, cab, heater and defroster, overhead guard. DIESEL ENGINE: John Deere 4239D.

Safety equipment available:

- audible alarm
- flashing lights
- mirrors

Specifications subject to change without notice.

UNITED
TRACTOR