



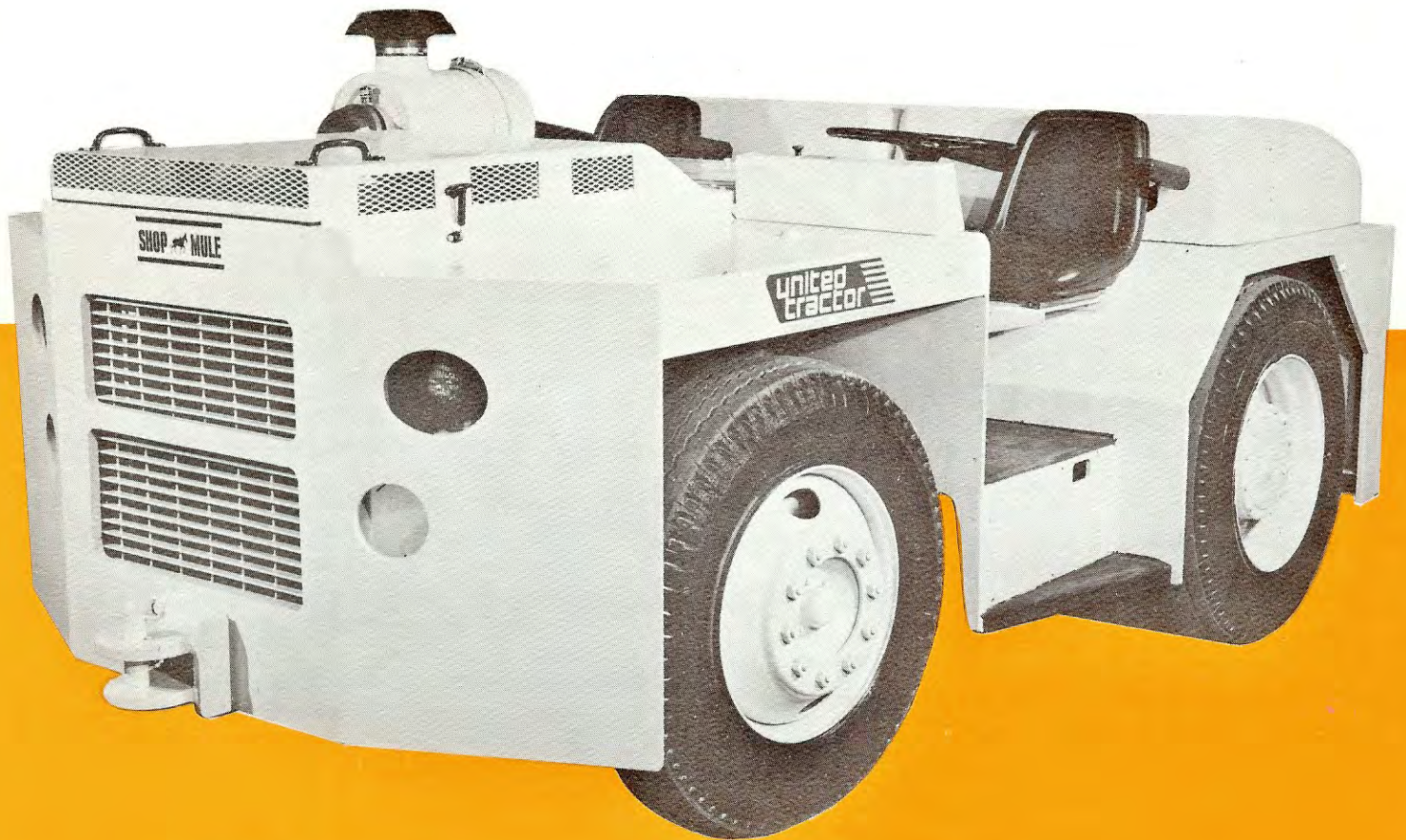
chesterton, indiana 46304
(219) 926-1186

MODELS
SM-160
SM-200
SM-250

TOW TRACTORS

16,000 lbs. (7258 kg)	20,000 lbs. (9072 kg)	25,000 lbs. (11,340 kg)
--------------------------	--------------------------	----------------------------

DRAWBAR PULL

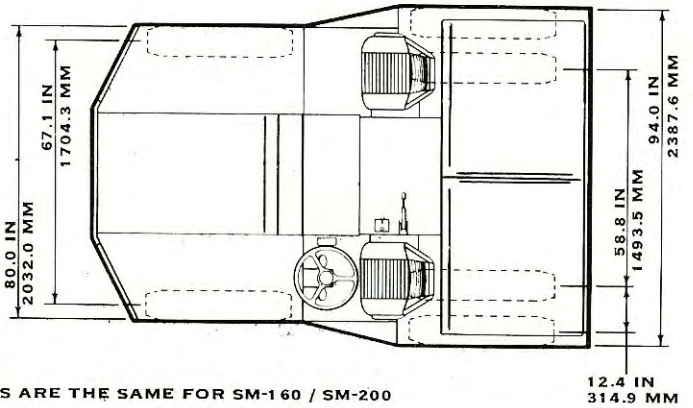
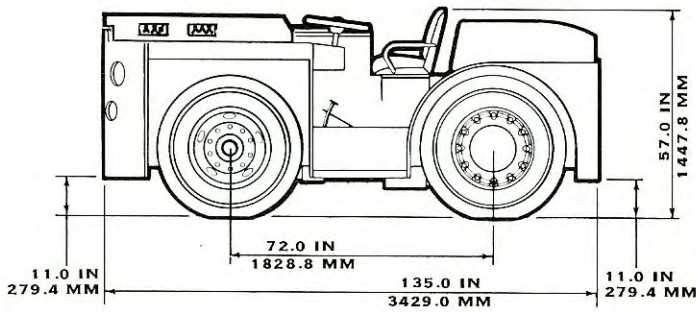


FEATURES:

Hand Built Throughout
Outstanding Maneuverability
Shortest Wheelbase in its Class



Wherever TOUGH TOWING is your job!



DIMENSIONS ARE THE SAME FOR SM-160 / SM-200

SPECIFICATIONS SHOP MULE MODELS SM-160 SM-200 SM-250

RATED DRAWBAR PULL With 16" (406 mm) coupler height on dry concrete.

Model SM-160 - 16,000 lbs. (7258 kg)

Model SM-200 - 20,000 lbs. (9072 kg)

Model SM-250 - 25,000 lbs. (11,340 kg)

TRAVEL SPEEDS Forward 20 MPH

(32 KMS - hr).

WEIGHTS SM - 160 21,000 lbs. (9526 kg)

SM - 200 24,100 lbs. (10,932 kg)

SM - 250 27,450 lbs. (12,451 kg)

ENGINE SPECIFICATIONS

Engine Manufacturer .. Chrysler

Model LH-318

Fuel Gasoline

Cylinders Eight

Bore and Stroke 3.91 x 3.31

(99mm x 84mm)

Displacement 318 cu. in. (5.2 liters)

BHP and Governed RPM .170 BHP at 3000 RPM

Torque 270 lb.ft. (37kg-meters)

at 2400 RPM

Lubrication Full Pressure

Governor Type Velocity

Carburetor Type Downdraft

Oil Filter Type By-pass

Air Cleaner Dry Type

Fuel Tank Capacity ... 24 Gallons (91 liters)

Cooling System Capacity.22 Quarts (21 liters)

TRANSMISSION - FUNK 1013 Full-power-shifting planetary with torque convertor. Three forward speeds and three reverse speeds.

ELECTRICAL SYSTEM 12 Volt, negative-ground, with heavy duty alternator. Solid state weatherproof (epoxy filled) voltage regulator, 85 amp hour battery, self-starter, weatherproof, keytype ignition system, and electric horn with waterproof horn button. 2 sealed beam shock mounted headlights, and 1 combination tail and stop light recessed for protection.

ELECTRONIC IGNITION SYSTEM Electronic circuitry replaces breaker point, provides easier starting, extends spark plug life, and gives better performance and operating economy.

INSTRUMENTS Engine hour meter, temperature gauge, ammeter, oil pressure gauge, fuel gauge, torque convertor oil temperature gauge, and torque convertor oil pressure gauge.

TURNING RADIUS Outside, 160" (4064 mm).

DRIVE AXLE Automotive spiral bevel gear set, and heavy duty differential assembly, mounted on Timken tapered roller bearings with differential housing and planetary gearing in wheel hubs.

POWER STEERING Front axle with forged steering knuckles and steering arms. Full time, hydrostatic steering system, with emergency backup should engine fail. Mounted on semi-elliptic springs. 18" steering wheel.

BRAKES Service: Four-wheel hydraulic power. Parking: Separate mechanical parking brake, hand operated with adjustable Orscheln handle.

TIRES 10:00 x 22.5 - 10 ply front. 10:00 x 22.5 - 10 ply rear (dual).

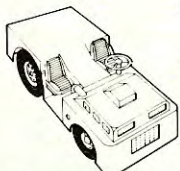
FRAME All welded single unit construction with rugged, deep, heavy sections prevent racking or twisting. Full fenders protect tires. Thick bumper plate, with heavy, steel grating, assures complete radiator protection.

SEATS Foam rubber cushioned bucket seats with durable waterproof covering on steel frames. Adjustable seats with arm rests.

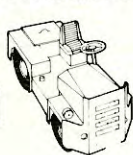
COUPLER Pin and clevis type is standard. Other couplers are available as optional equipment.

OPTIONAL EQUIPMENT Detroit diesel 4-53N engine, LPG fuel system, cab, heater and defroster, spark arrestor, revolving overhead light, overhead guard, and railroad coupler.

OTHER MODELS AVAILABLE



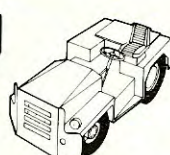
SML-80/100/120



SM-340



SM-80/100



SM-40/50/60

SOLD AND SERVICED BY: